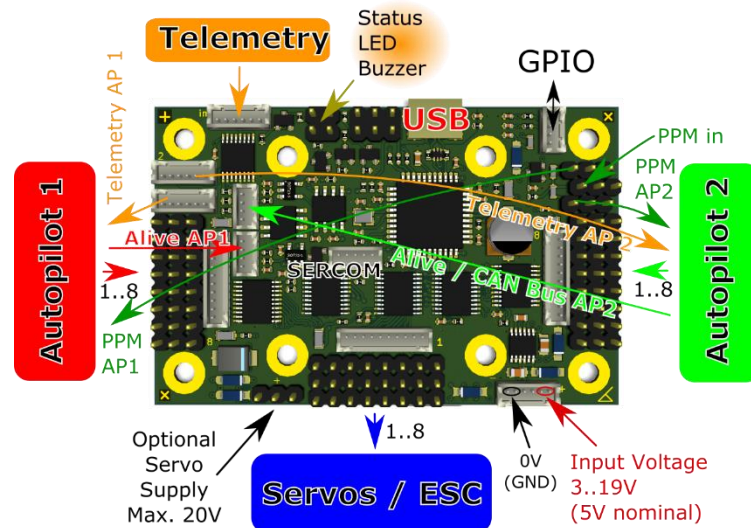


Dear reader!

We worked very hard on completing our product and software for you!

## The Auto-Pilot-Manager-Kit is now available!

The AP-Manager is an intelligent bridge between two autopilot-systems in your RC-model, for higher redundancy and safety in the air.



### Some Features:

- Telemetry switch (for 3DR-family)
- Manual and/or semi-automatic switch between autopilots
- On-board mixer for traditional aircraft, delta-wing and helicopter on board (in case both autopilot fail, when using 3DR-family)
- Wide internal power supply range 3-19V
- Configurable via software
- Future firmware updates possible
- Mixable with different autopilots
- Signal feedback outputs for LED's or buzzer
- JETI RX-telemetry output and feedback for actual state available
- Parallel monitoring of PWM-signals and alive-signals
- ... etc.

### The AP-Manager works for several autopilots:

#### Universal

use it for:

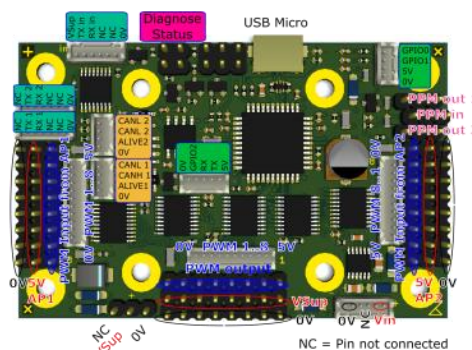
DJI-Naza, -Wookong, -A2

or

3DR-APM, -Pixhawk, -Px4

or

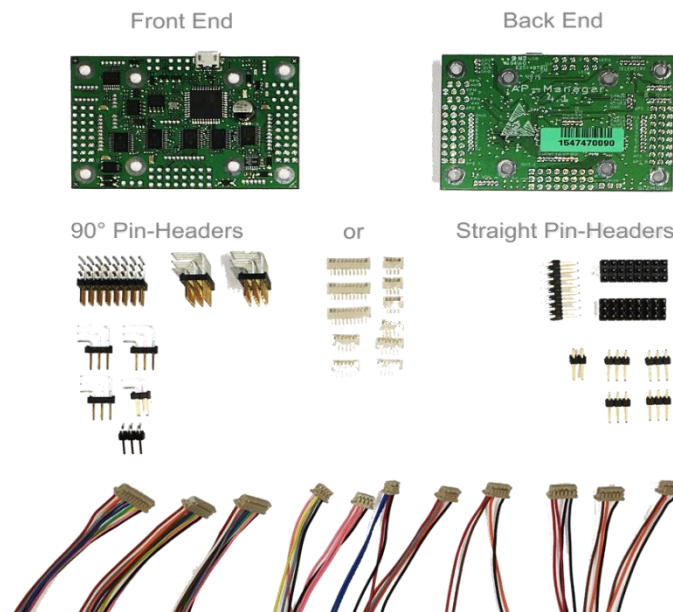
even a mixture of this autopilots



## The Kit includes:

- One AP-Manager Board
- Installation guide for drivers
- All relevant plugs with open end cables
- Straight or 90° Pin-Headers are available
- Manual for the AP-Manager
- Configuration software
- All relevant sockets and pins to solder to the board
- Electrically proofed and flashed

## AP-Manager



**Price: € 489,- net (excl. VAT)**

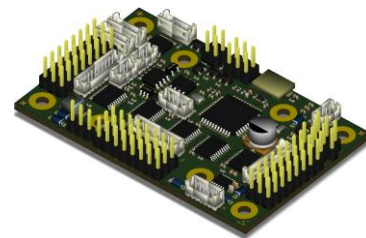
**You can order now!**

Send us a mail on [office@gizmotec.eu](mailto:office@gizmotec.eu).

Feel free to contact us anytime if you have further questions on our products and services!

With very best regards,

The GIZMOtec-Team



[www.gizmotec.eu](http://www.gizmotec.eu)